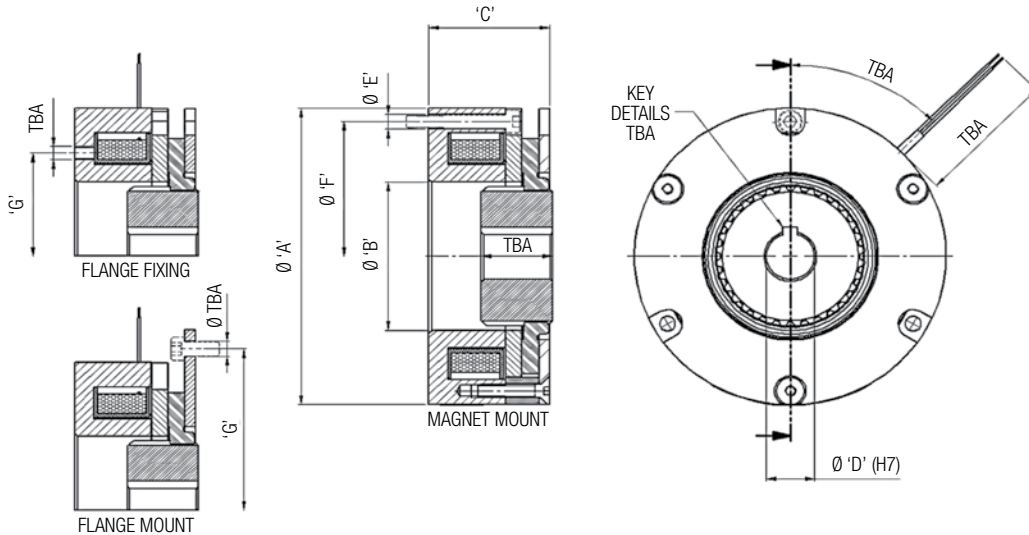


## CUSTOMISED BRAKE OPTIONS

- Toleranced recesses for bearings and encoders
- Customised geometry for space critical applications
- Adapter plates to mount on smaller PCDs & larger
- Lead length, colour, type and connectors
- Low/Zero backlash
- Operating voltage
- Reduced power consumption options
- Double disc, 2 x torque option



Ref	Dim 'A' (mm)	Dim 'B' (mm)	Dim 'C' (mm)	Dim 'D' (mm)	Dim 'E' (mm)	Dim 'F' (mm)	Dim 'G' (mm)	Holding Torque (Nm)
1EB011	40	13	30	10	Ø3.2	33.8	Information (size, quantity, position & PCD) to be provided by the customer	0.4
1EB012	46	14	31	12	Ø3.4	42.0		1.2
1EB014	50	20	35	12*	Ø3.4	45.0		2
1EB017	56	26	30	15	Ø3.4	50.0		2.5
1EB018	60	20	31	17	Ø4.5	52.0		4
1EB020	70	30	33	20*	Ø4.5	63.0		7
1EB024	77	30	35	27*	Ø4.5	70.0		12
1EB026	83	35	37	32*	Ø4.5	75.0		13.5
1EB027	85	35	40	25	Ø4.5	74.0		15
1EB028	90	35	36	32*	Ø4.5	83.0		25
1EB030	100	42	44	30*	Ø5.5	90.0		30
1EB035	110	55	44	40	Ø6.5	100.0		40
1EB037	120	55	45	40	Ø5.5	110.0		55
1EB040	128	55	46	40	Ø5.5	114.0		60
1EB045	145	55	60	40	Ø6.5	132.0		70
1EB050	160	58	70	40	Ø9.0	145.0		150
1EB060	185	66	76	40	Ø9.0	170.0		180
1EB070	212	80	94	55	Ø9.0	196.0	400	

**Notes:**

- The above dimensions can be customised to suit individual applications.
- Brakes can be supplied in either Magnet Mount, Flange Mount or Rear Fixing.
- Brakes can be supplied with double friction discs.
- \* Hub bores without key